



## WALL WASHER



### APPLICATION

Wall washer series used in outdoor, come with two sizes 0.5m & 1m, the level of protection achieved IP67 (submerge under water). You can use it for: Building, advertisement, shopping mall, billboards, etc...

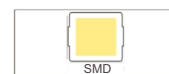
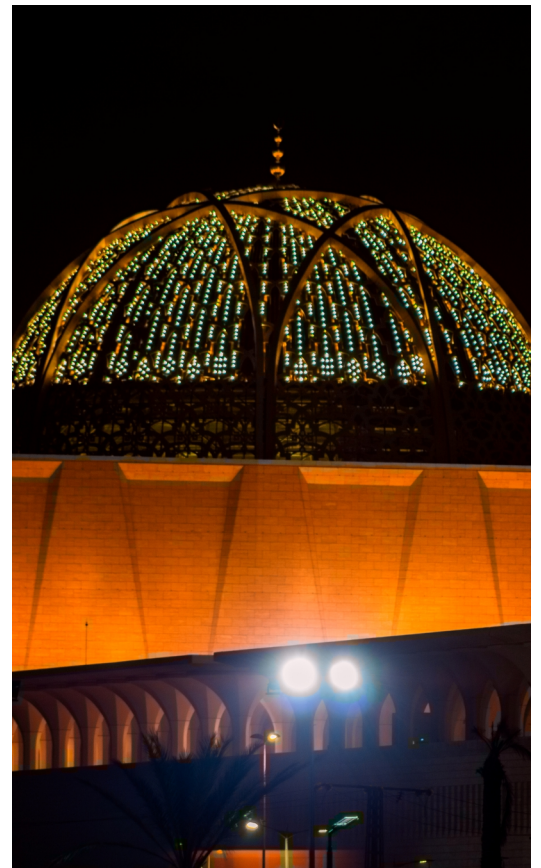
### APPROVALS & STANDARDS

IECEE certificate *	As per IEC60598-2-3:2002+A1:2011 IEC60598-1:2014+A1:2017
Power supply approval marks	UL/CSA/CE/ENEC/CCB/CCC
Degree of protection provided by enclosures, ingress protection(IP)	IEC 60529:2013

\*: Approvals and certificate are under process.

### TECHNICAL INFORMATION

FAMILY	CLASSIC WALL WASHER
Wattage/m	24W   36W
CRI	80   90
CCT	2700K   3000K   3500K   4000K   5000K   5700K   6500K
Beam	15°   30°   45°   60°
Lumen	2250.0lm   3240.0lm
Finish	Silver
Material	Die-casting aluminum body and heatsink, PMMA lenes
Driver	Tridonic   Philips   Lifud
Ambient (Ta) Temperature	-20°C to +50°C



**CREE**

**LUMILEDS**

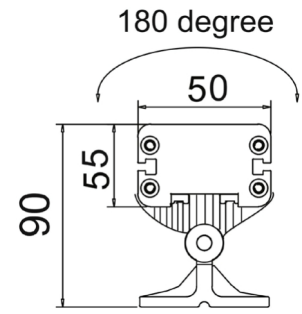
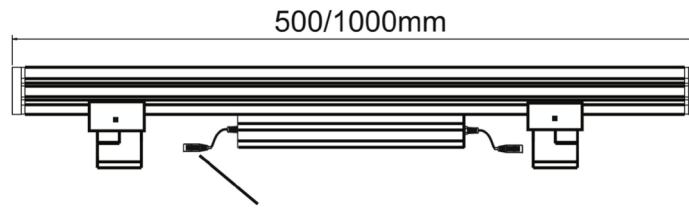
**NICHIA**

**OSRAM**



CUTOUT & DIMENSION

MODEL	POWER	DIMENSION
AESWW18A	18W	L500mm X W50mm*H90mm
AESWW24A	24W/36W	L1000mm X W50mm*H90mm



ORDERING INFORMATION

AESWW18A-24W-80-30-NR-15-PH-ND

Model	Wattage	CRI	CCT	Led Engine	Beam	DriverType	Dimming
AESWW18A	24W	80	30	NR	15°	Ph	ND
AESWW18A	24W	80	27 2700K	R RGB	15°	Tr Tridonic	ND Non Dim
AESWW24A	36W	90	30 3000K	NR Non RGB	30°	Ph Philips	VD 0/1-10VDim
			35 3500K		45°	Lf Lifud	DA DALI Dim
			40 4000K		60°		
			50 5000K				
			57 5700K				
			65 6500K				