



NOBLE FAMILY



APPLICATION

Round and square ceiling- recessed down light for indoor installation, The exquisite electroplating surface treatment art using the unique Nano dust-proof technology, make it wear-resistant and anti - hard scratches., with the patent optical lens zoom design, the fixture can accurate transform beam angle to 17°, 25°, 36°, 60° to meet the lighting requirements. You can install it in public areas, stairways, corridors, foyers, shops, offices, etc. . . .

APPROVALS & STANDARDS

Saudi Standard SASO 2902 *	Energy Efficiency, functionality & labeling requirements for lighting products -Part2-
IECEE certificate *	As per IEC60598-2-3:2002+A1:2011 IEC60598-1:2014+A1:2017
Power supply approval marks	UL/CSA/CE/ENEC/CCB/CCC
Degree of protection provided by enclosures, ingress protection(IP)	IEC 60529:2013

*: Approvals and certificate are under process.

TECHNICAL INFORMATION

FAMILY	NOBLE
Wattage	15W 18W 20W
CRI	80 90
CCT	2700K 3000K 3500K 4000K 5000K 5700K 6500K
Beam	17° 25° 36° 60°
Lumen	975lm 1170.0lm 1300.0lm
Finish	Black White
Material	Die-casting aluminum body and heatsink, PMMA lenes
Driver	Tridonic Philips Lifud



shine black



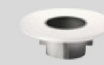
gold



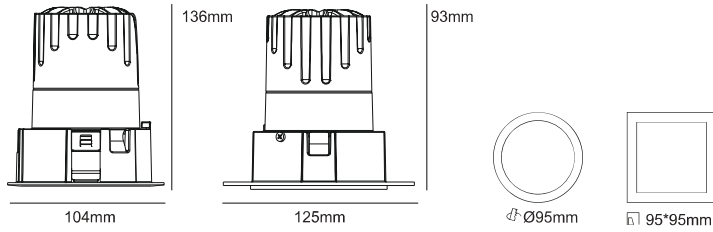
silver



matt black

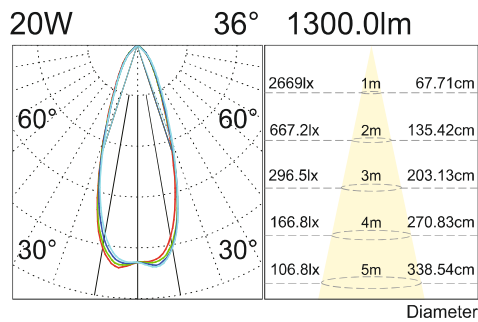
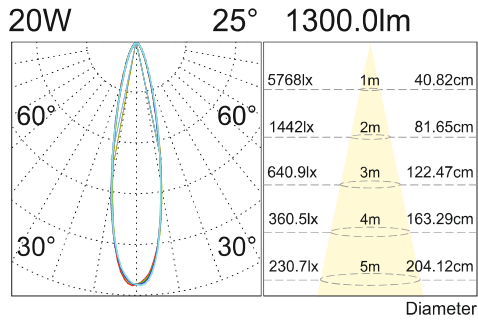
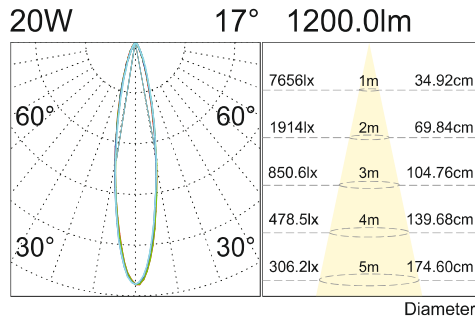


CUTOUT & DIMENSION



MODEL	POWER	DIMENSION	CUT HOLE
AES03115W-R	15W	Ø104mm * H136mm	Ø95mm
AES03115W-S	15W	L125mm*W125mm*H93mm	95*95mm
AES03218W-R	18W	Ø104mm * H136mm	Ø95mm
AES03218W-S	18W	L125mm*W125mm*H93mm	95*95mm
AES03320W-R	20W	Ø104mm * H136mm	Ø95mm
AES03320W-S	20W	L125mm*W125mm*H93mm	95*95mm

LIGHT DISTRIBUTION DIAGRAM



ORDERING INFORMATION

EXAMPLE : AES032-18W-80-30-20-R-SB-25-PH-ND

Model	Wattage	CRI	CCT	IP	Frame	Reflector	Beam	DriverType	Dimming
AES032	18W	80	30	20	R	SB	25°	Ph	ND
AES031	15W	80	27 2700K	20	R Round	SB shine Black	17°	Tr Tridonic	ND Non Dim
AES032	18W	90	30 3000K	44	S Square	G Gold	25°	Ph Philips	TD Triac Dim
AES033	20W		35 3500K			RS Silver	36°	Lf Lifud	VD 0/1-10VDim
			40 4000K			MB MatteBlack	60°		DA DALI Dim
			50 5000K						
			57 5700K						
			65 6500K						

